

HBX 8-335-2KSG		HBX 16-335-2KSG		VKS 16-350-T-3P	
N1	FLENS NW50 DIN 2631	N6	FLENS NW125 DIN 2631	N13	L/S Ø67/76
N2	FLENS NW50 DIN 2631	N7	FLENS NW125 DIN 2631	N14	SOK 1/2" G
N3	NDL. PIJP Ø88.9 x 3.2	N8	SOK 1/2" NPTF	N15	SOK 1/2" G
N4	SOK 1/2" NPTF	N9	L/S Ø 54/60	N16	FLENS WN NW175 DIN 2633
N5	SOK 1/2" NPTF	N10	AFSL. CASTEL 6110-3C	N17	SOK 1/2" G
		N11	AFSL. CASTEL 6110-3C	N18	SOK 1/2" G
		N12	SOK 1/2" NPTF	N19	FLENS WN NW175 DIN 2633
				N20	L/S Ø106/114

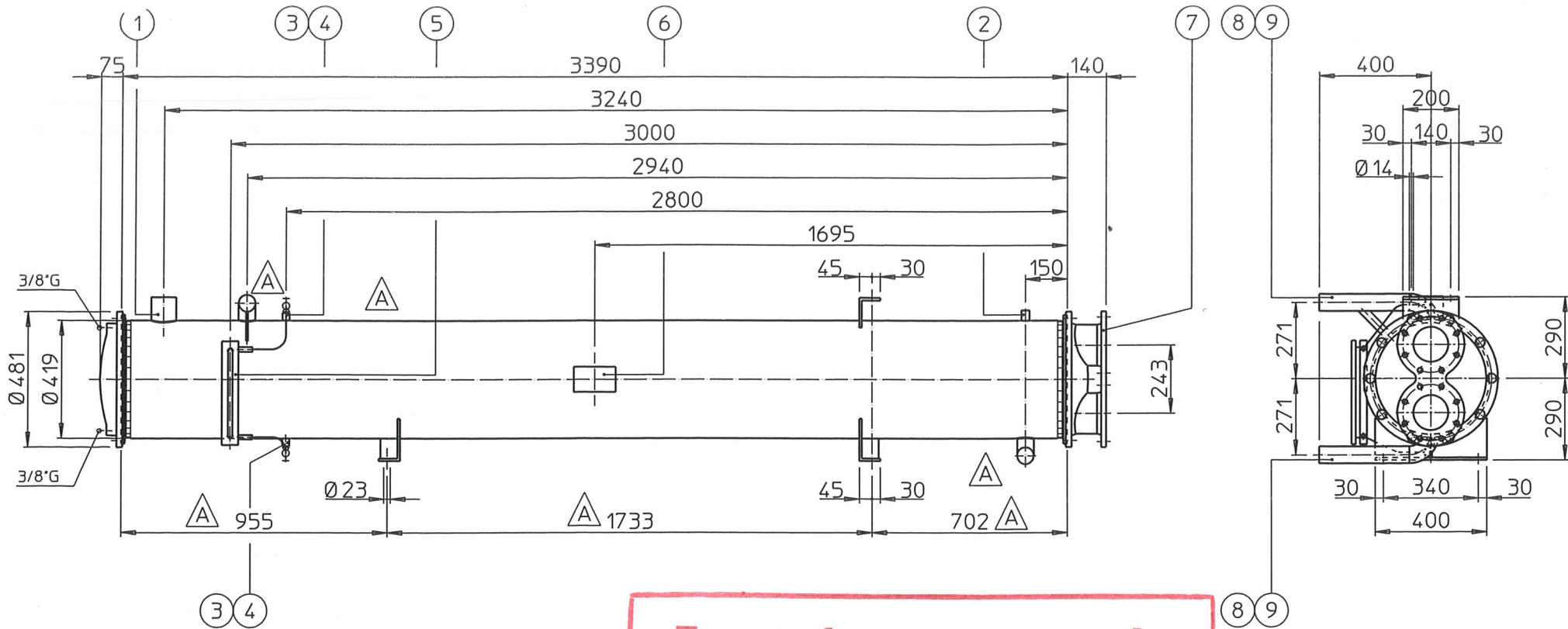
Benaming Description		SAMENBOUW VKS16-HBX16-HBX8		Algemene toleranties General tolerances DIN 28008 -E		Form Size Verkoopnr. Salesnr.		Proj.	
Schaal Scale		Gel. Drawn R. Teuben		Datum Date		Geconr. Check		Wijziging Alteration	
1:15				3-Nov-98					



Shell & Tube Products B.V.

Tek.nr.
Drwg.no. 71098098

Blad
Sheet 5 van
of bladen
sheets



For information only

HELPMAN			
HELPMAN SHELL & TUBE PRODUCTS B.V. GRONINGEN - THE NETHERLANDS			
PRESSURE VESSEL TYPE	HBX 16-335-2KSG		
DESIGN ACCORDING TO	HELPMAN		
	SHELL SIDE	TUBE SIDE	
MEDIUM	R507	TEMPER	
VOLUME	270	112,2	dm ³
MIN/MAX. DESIGN TEMPERATURE	0 / 100	0 / 50	°C
MAX.WORKING / STRENGTHTEST PRESSURE	23 / 30	4 / 6	bar g
REPEATABLE LEAKTEST PRESSURE = 1.1 * MAX. WORKING PRESSURE			
SERIAL No.	7558-B-1	YEAR	1998

NAAMPLAAT HELPMAN

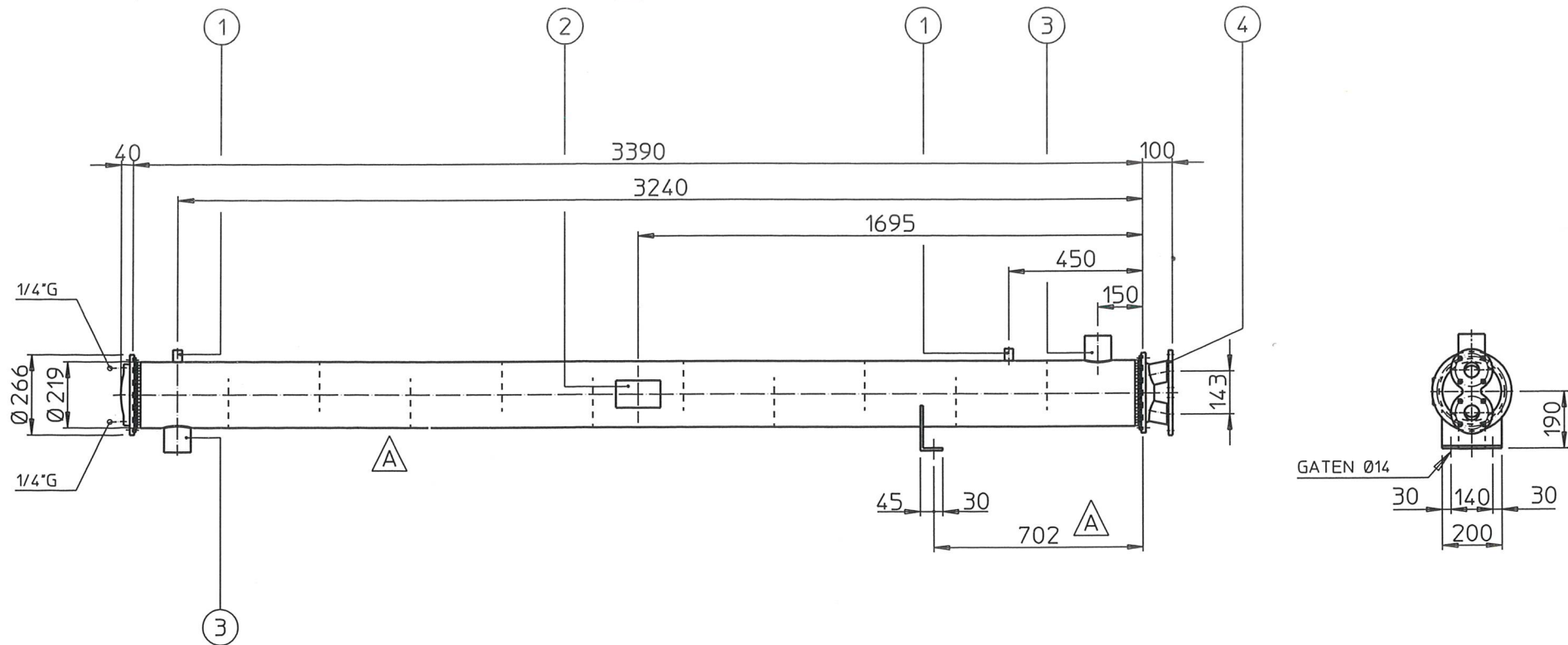
Pos.	Aansluiting
1	NDL. PIJP Ø88.9 x 3.2 L=110
2	SOK 1/2"NPTF (2x)
3	SOK 3/8"NPTF (2x)
4	AFSLUITER 6110-3C (2x)
5	PEILGLAS PG-320
6	NAAMPLAAT HELPMAN
7	FLENS NW125 DIN 2631 (+ TEGENFLENZEN)
8	LASBOCHT Ø60.3 x 2.9 3S-90° (2x)
9	NDL.PIJP Ø60.3 x 2.9 L=324 (2x)

UNIT 1

C B A	20-Jul-1999 R.T.	Benaming Description HBX 16-335-2KSG	Algemene toleranties Generel toleranties DIN 28008 -E	Form Size A3 Proj.
	30-Nov-98 R.T.			
School Scale 1:15 Get. Drawn R.Teuben		Tek.nr. 71098097 Drwg.no.		Blad Sheet 1 van of bladen sheets

HELPMAN Shell & Tube Products B.V.

Auteursrecht voorbeh. volgens de wet. Copyright reserved by law.



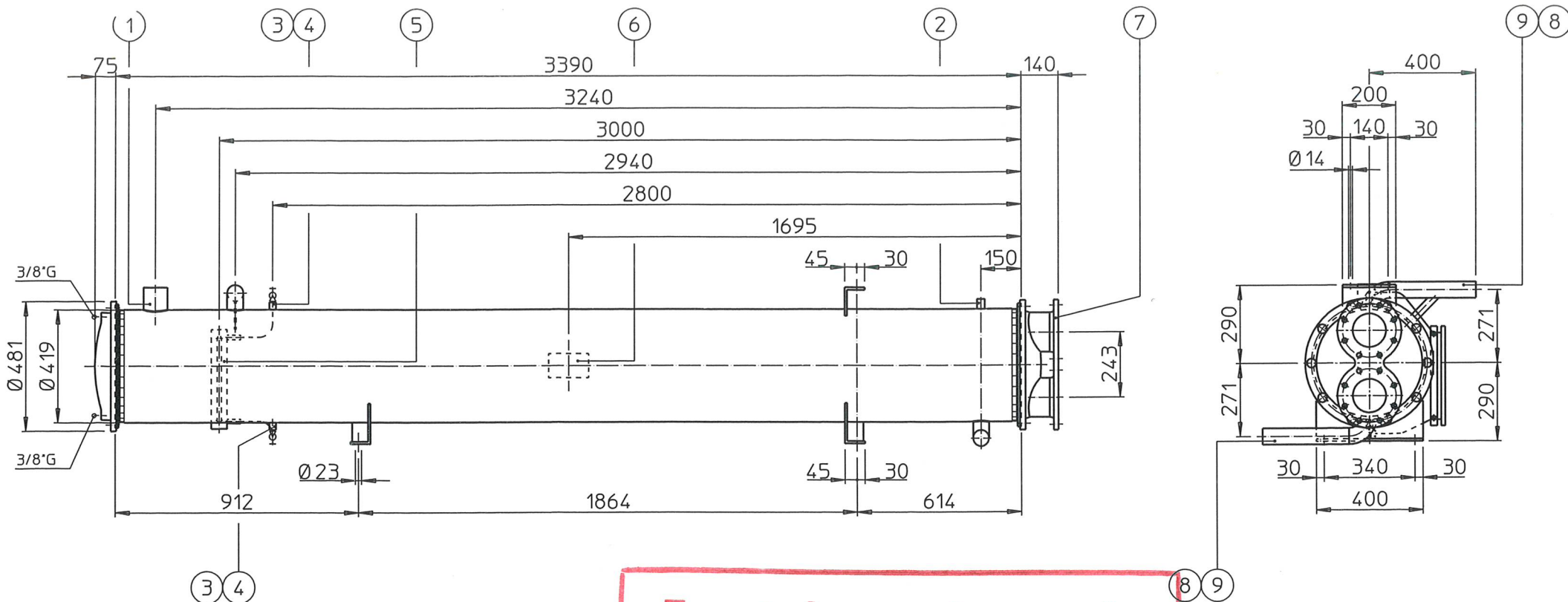
For information only

HELPMAN			HELPMAN SHELL & TUBE PRODUCTS B.V. GRONINGEN - THE NETHERLANDS		
PRESSURE VESSEL TYPE	HBX 8-335-2KSG				
DESIGN ACCORDING TO	HELPMAN				
	SHELL SIDE			TUBE SIDE	
MEDIUM	R502	WATER			
VOLUME	82	22,9	dm ³		
MIN./MAX. DESIGN TEMPERATURE	0 / 100	0 / 50	°C		
MAX.WORKING / STRENGTHTEST PRESSURE	23 / 30	4 / 6	bar g		
REPEATABLE LEAKTEST PRESSURE = 1.1 * MAX. WORKING PRESSURE					
SERIAL No.	7558-C-1	YEAR	1998		

Pos.	Aansluiting
1	SOK 1/2"NPTF (2x)
2	NAAMPLAAT HELPMAN
3	NDL PIJP Ø88.9 x 3.2 l=110
4	FLENS NW50 DIN2631

△
UNIT 1

C B A	20-Jul-1999 R.T. 30-Nov-98 R.T.	Benaming Description HBX 8-335-2KSG		Algemene toleranties Generel tolerances DIN 28008 -E	Form Size A3 Proj.
		Schaal Scale 1:15	Get. Drawn R.Teuben	Datum Date 2-Nov-98	Geconr. Check
HELPMAN Shell & Tube Products B.V.				Tek.nr. Drwg.no. 71098098	
Auteursrecht voorbeh. volgens de wet. Copyright reserved by law.				Blad Sheet 1 van of bladen sheets	



For information only

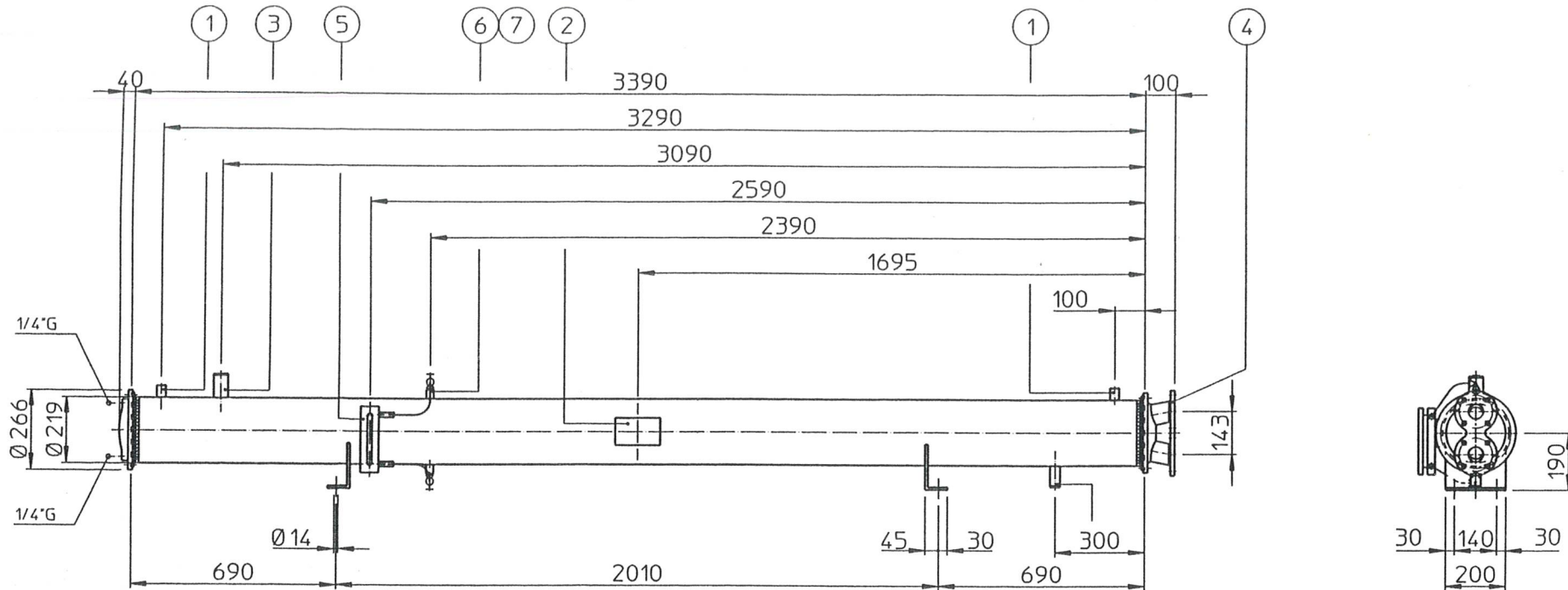
HELPMAN		HELPMAN SHELL & TUBE PRODUCTS B.V. GRONINGEN - THE NETHERLANDS	
PRESSURE VESSEL TYPE	HBX 16-335-2KSG		
DESIGN ACCORDING TO	HELPMAN		
	SHELL SIDE	TUBE SIDE	
MEDIUM	R507	TEMPER	
VOLUME	270	112.2	dm ³
MIN/MAX. DESIGN TEMPERATURE	0 / 100	0 / 50	°C
MAX.WORKING / STRENGTHTEST PRESSURE	23 / 30	4 / 6	bar g
REPEATABLE LEAKTEST PRESSURE = 1.1 * MAX. WORKING PRESSURE			
SERIAL No.	7558-B-2	YEAR	1998

NAAMPLAAT HELPMAN

Pos.	Aansluiting
1	NDL. PIJP Ø88.9 x 3.2 L=110
2	SOK 1/2"NPTF (2x)
3	SOK 3/8"NPTF (2x)
4	AFSLUITER 6110-3C (2x)
5	PEILGLAS PG-320
6	NAAMPLAAT HELPMAN
7	FLENS NW125 DIN 2631 (+ TEGENFLENZEN)
8	LASBOCHT Ø60.3 x 2.9 3S-90° (2x)
9	NDL.PIJP Ø60.3 x 2.9 L=324 (2x)

UNIT 2

U D A 20-Jul-1999 R.T.	Benaming Description HBX 16-335-2KSG		Algemene toleranties General tolerances DIN 28008 -E		Form Size A3	Proj.
	School Scale 1:15	Get. Drawn R.Teuben	Datum Date 25-Nov-98	Geconr. Check	Verkoopnr. Salesnr.	Wijziging Alteration A
			Shell & Tube Products B.V.		Blad Sheet 5	van of bladen sheets



For information only

HELPMAN		HELPMAN SHELL & TUBE PRODUCTS B.V. GRONINGEN - THE NETHERLANDS	
PRESSURE VESSEL TYPE	HBX 8-335-2KSG		
DESIGN ACCORDING TO	HELPMAN		
	SHELL SIDE	TUBE SIDE	
MEDIUM	R502	TEMPER	
VOLUME	83	22.9	dm ³
MIN./MAX. DESIGN TEMPERATURE	0 / 100	0 / 50	°C
MAX.WORKING / STRENGTHTEST PRESSURE	23 / 30	4 / 6	bar g
REPEATABLE LEAKTEST PRESSURE = 1.1 * MAX. WORKING PRESSURE			
SERIAL No.	7558-D	YEAR	1998

Pos.	Aanstluiting
1	SOK 1/2"NPTF (2x)
2	NAAMPLAAT HELPMAN
3	L/S 42/48
4	FLENS NW50 DIN2631
5	PEILGLAS PG173
6	SOK 3/8"NPTF (2x)
7	AFSLUITER 6110-3C (2x)
8	L/S Ø28/34

Benaming Description HBX 8-335-2KSG	Algemene toleranties Generel tolerances DIN 28008 -E	Form Size A3	Proj
		Verkoopnr. Salesnr.	
School Scale 1:15	Gel. Drawn R.Teuben	Datum Date 3-Nov-98	Geconfr. Check
		Tek.nr. 71098099 Drwg.no.	
		Blad Sheet 1	van of bladen sheets

Shell & Tube Products B.V.
Auteursrecht voorbeh. volgens de wet. Copyright reserved by law.

20-Jul-1999 R.T.

